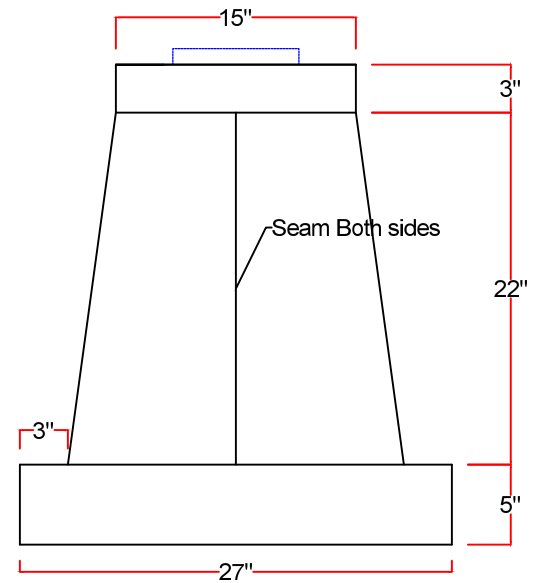
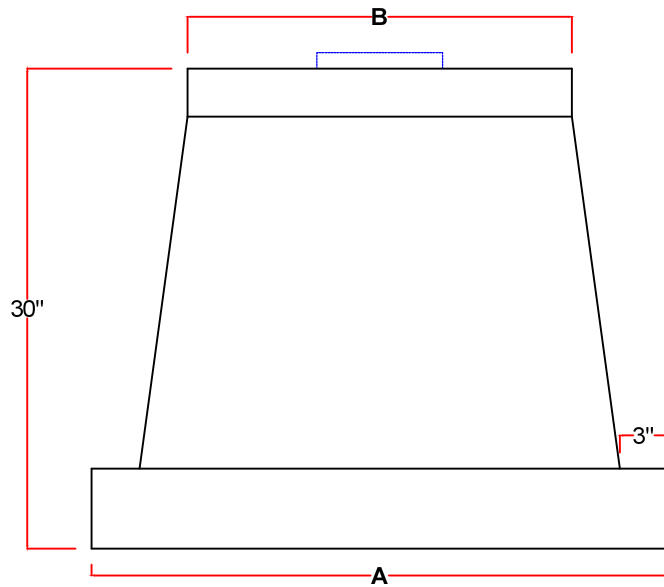
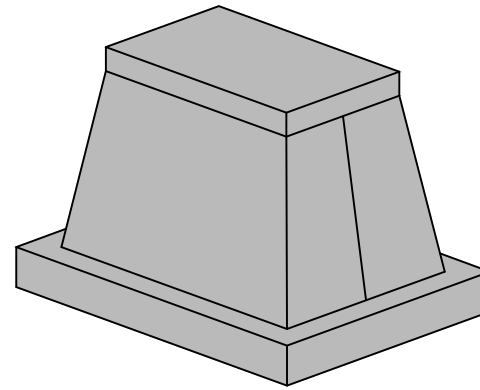


Top View

Model#
PS2730



Modern-Aire Ventilating

7319 Lankershim Blvd. North Hollywood CA. 91605 818-765-9870

| | | | | | | | |
|----------|-----|-----|-----|-----|-----|-----|-----|
| A | 30" | 36" | 42" | 48" | 54" | 60" | 66" |
| B | 18" | 24" | 30" | 36" | 42" | 48" | 54" |
| C | | | | | | | |
| D | | | | | | | |

| | |
|----------|-------------------------------------------------------------------------------|
| E | |
| F | 7" (200cfm - 450cfm) 8" (600cfm) 10" (900cfm - 1200cfm) 10" or 8" (external) |
| G | 8 1/2" (200cfm - 600cfm & external motor) 12 1/2" (Internal 900cfm - 1200cfm) |
| H | |