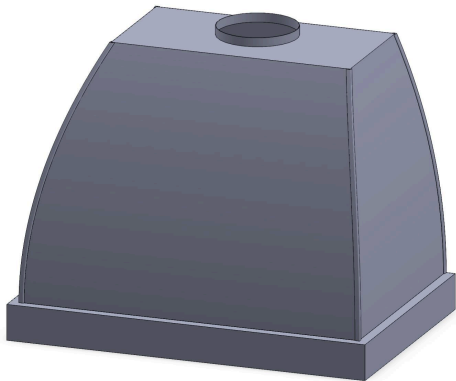


Modern Aire Ventilating

Fully Customizable. Built in the USA.



PS31 Spec Sheet



Available Standard Sizing

****Custom sizing and venting options available upon request.
Please contact a dealer for more information****

| | |
|------------|-----------------------|
| PS3118-030 | 30" w x 18" h x 24" d |
| PS3118-036 | 36" w x 18" h x 24" d |
| PS3118-042 | 42" w x 18" h x 24" d |
| PS3118-048 | 48" w x 18" h x 24" d |
| PS3118-054 | 54" w x 18" h x 24" d |
| PS3118-060 | 60" w x 18" h x 24" d |
| PS3118-066 | 66" w x 18" h x 24" d |

| | |
|------------|-----------------------|
| PS3130-030 | 30" w x 30" h x 24" d |
| PS3130-036 | 36" w x 30" h x 24" d |
| PS3130-042 | 42" w x 30" h x 24" d |
| PS3130-048 | 48" w x 30" h x 24" d |
| PS3130-054 | 54" w x 30" h x 24" d |
| PS3130-060 | 60" w x 30" h x 24" d |
| PS3130-066 | 66" w x 30" h x 24" d |

Available Material Choices

****See available materials list for a full selection****

| | |
|--------------------|--------|
| Stainless Steel | Brass |
| RAL Powder Coat | Copper |
| Custom Powder Coat | Zinc |

Blower and Controls

| | |
|------------------|-------------------------------------|
| Fan Type | Internal, Inline, External |
| CFM Options | 200 CFM - 1400 CFM |
| Standard Venting | Top - Centered & 1" off rear |
| Fan Switch | Continuously Variable (5A Rheostat) |
| Fan Control Type | Variable Chrome Knob |
| Control Location | Underside |

Lights and Controls

| | |
|--------------------|-------------------------------------|
| Light Type | 3000K LED |
| Amount | 2+ (varies based upon width) |
| Light Switch | Continuously Variable (5A Rheostat) |
| Light Control Type | Variable Chrome Knob |
| Control Location | Underside |

Filters

| | |
|-----------------|--|
| Type | Brushed Stainless Steel Baffle Filters |
| Removable | Yes |
| Dishwasher Safe | Yes |

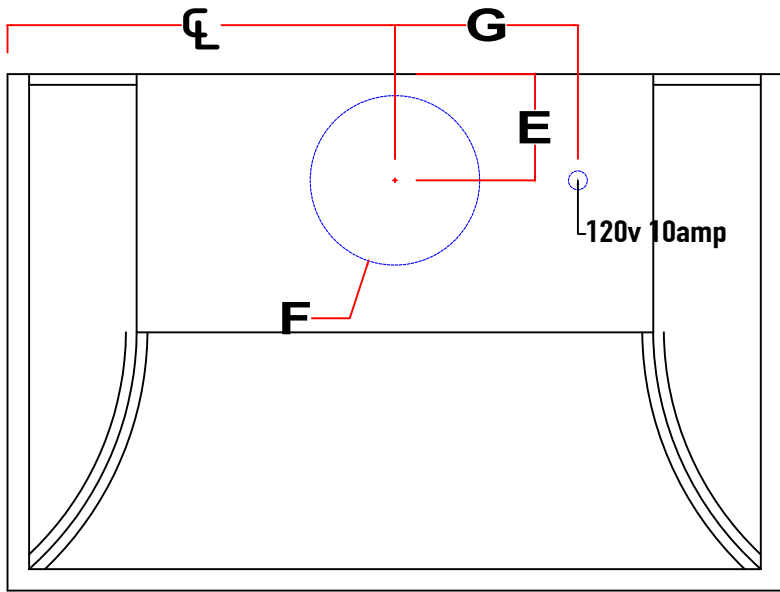
Electrical

| | |
|-------------------|-----------------------|
| Circuit Breaker | 10 Amps |
| Volts | 120 Volts |
| Wiring | Hardwired |
| Standard Location | Top - Right of Blower |

Warranty Information

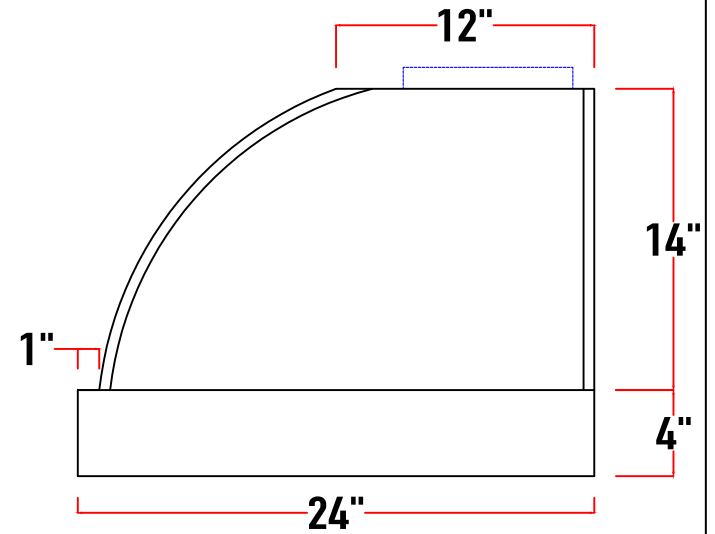
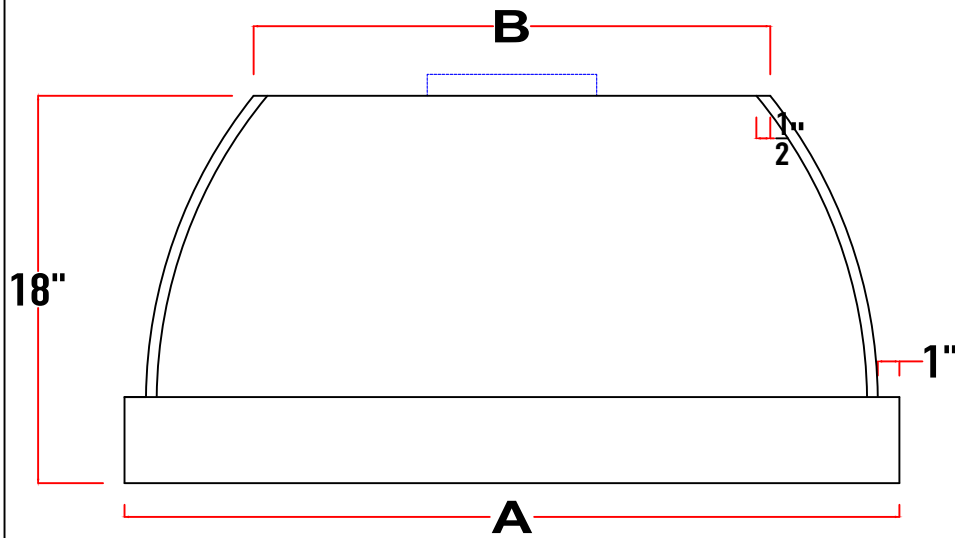
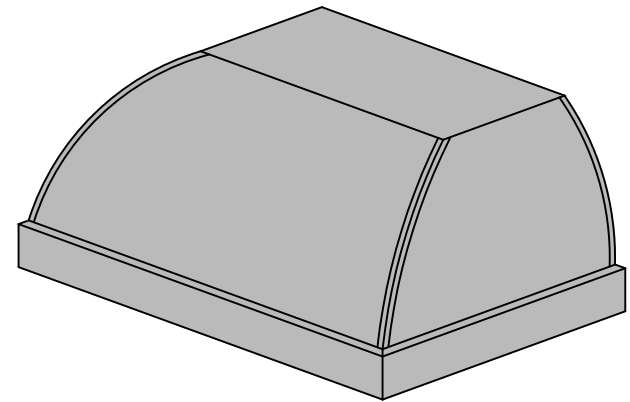
| | |
|-----------------|---------|
| Parts and Labor | 3 Years |
|-----------------|---------|





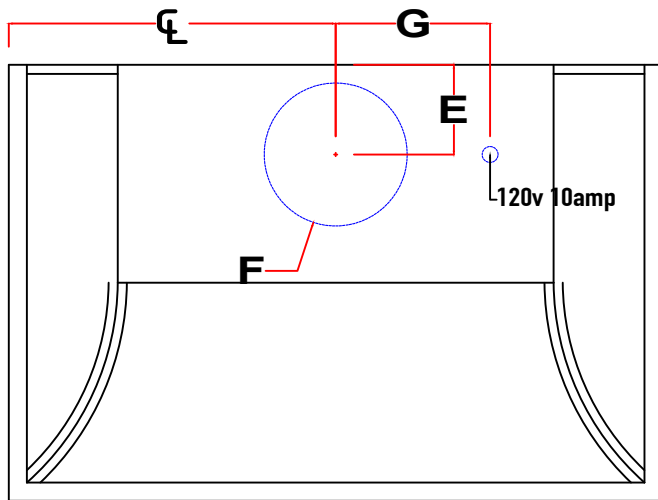
Top View

Model#
PS3118



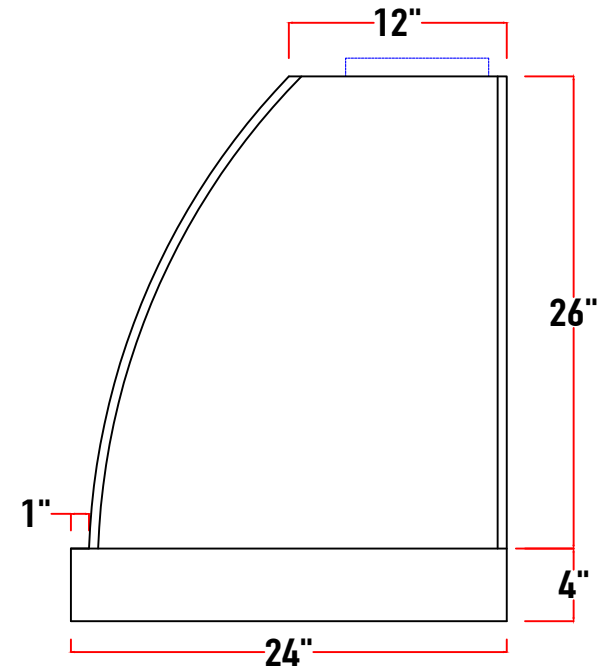
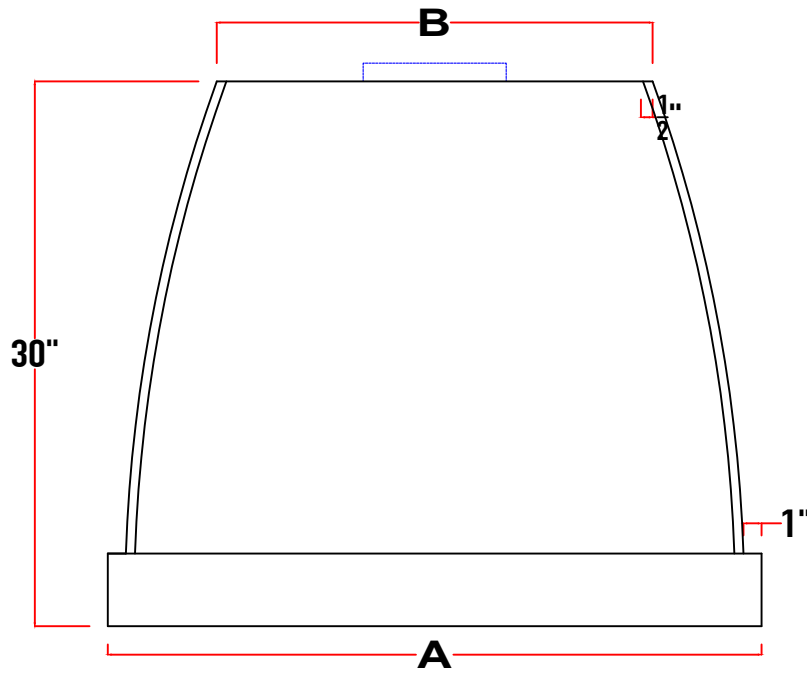
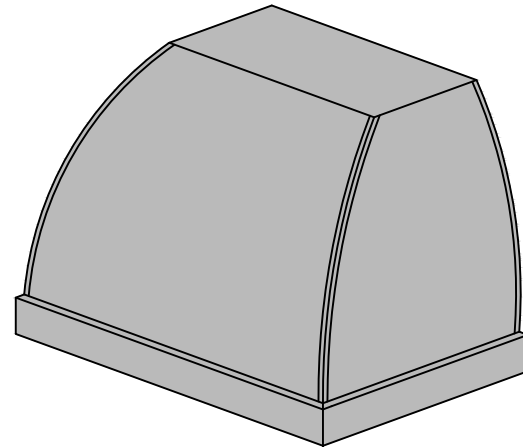
| | | | | | | | |
|----------|-----|-----|-----|-----|-----|-----|-----|
| A | 30" | 36" | 42" | 48" | 54" | 60" | 66" |
| B | 18" | 24" | 30" | 36" | 42" | 48" | 54" |
| C | | | | | | | |
| D | | | | | | | |

| | |
|----------|--|
| E | 4 1/2" (200cfm - 450cfm) 5" (600cfm) 6" (900cfm - 1200cfm) 6" (external motor) |
| F | 7" (200cfm - 450cfm) 8" (600cfm) 10" (900cfm - 1200cfm) 10" or 8" (external) |
| G | 8 1/2" (200cfm - 600cfm & external motor) 12 1/2" (Internal 900cfm - 1200cfm) |
| H | |



Top View

Model#
PS3130



| | | | | | | | |
|----------|-----|-----|-----|-----|-----|-----|-----|
| A | 30" | 36" | 42" | 48" | 54" | 60" | 66" |
| B | 18" | 24" | 30" | 36" | 42" | 48" | 54" |
| C | | | | | | | |
| D | | | | | | | |

| | |
|----------|--|
| E | 4 1/2" (200cfm - 450cfm) 5" (600cfm) 6" (900cfm - 1200cfm) 6" (external motor) |
| F | 7" (200cfm - 450cfm) 8" (600cfm) 10" (900cfm - 1200cfm) 10" or 8" (external) |
| G | 8 1/2" (200cfm - 600cfm & external motor) 12 1/2" (Internal 900cfm - 1200cfm) |
| H | |