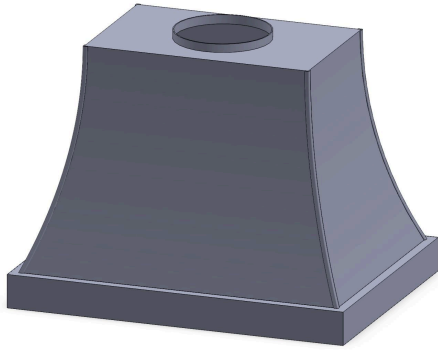


Modern Aire Ventilating

Fully Customizable. Built in the USA.



PS17 Spec Sheet



Available Standard Sizing

****Custom sizing and venting options available upon request.
Please contact a dealer for more information****

PS1718-030	30" w x 18" h x 27" d
PS1718-036	36" w x 18" h x 27" d
PS1718-042	42" w x 18" h x 27" d
PS1718-048	48" w x 18" h x 27" d
PS1718-054	54" w x 18" h x 27" d
PS1718-060	60" w x 18" h x 27" d
PS1718-066	66" w x 18" h x 27" d

PS1730-030	30" w x 30" h x 27" d
PS1730-036	36" w x 30" h x 27" d
PS1730-042	42" w x 30" h x 27" d
PS1730-048	48" w x 30" h x 27" d
PS1730-054	54" w x 30" h x 27" d
PS1730-060	60" w x 30" h x 27" d
PS1730-066	66" w x 30" h x 27" d

Available Material Choices

****See available materials list for a full selection****

Stainless Steel	Brass
RAL Powder Coat	Copper
Custom Powder Coat	Zinc

Blower and Controls

Fan Type	Internal, Inline, External
CFM Options	200 CFM - 1400 CFM
Standard Venting	Top - Centered
Fan Switch	Continuously Variable (5A Rheostat)
Fan Control Type	Variable Chrome Knob
Control Location	Underside

Lights and Controls

Light Type	3000K LED
Amount	2+ (varies based upon width)
Light Switch	Continuously Variable (5A Rheostat)
Light Control Type	Variable Chrome Knob
Control Location	Underside

Filters

Type	Brushed Stainless Steel Baffle Filters
Removable	Yes
Dishwasher Safe	Yes

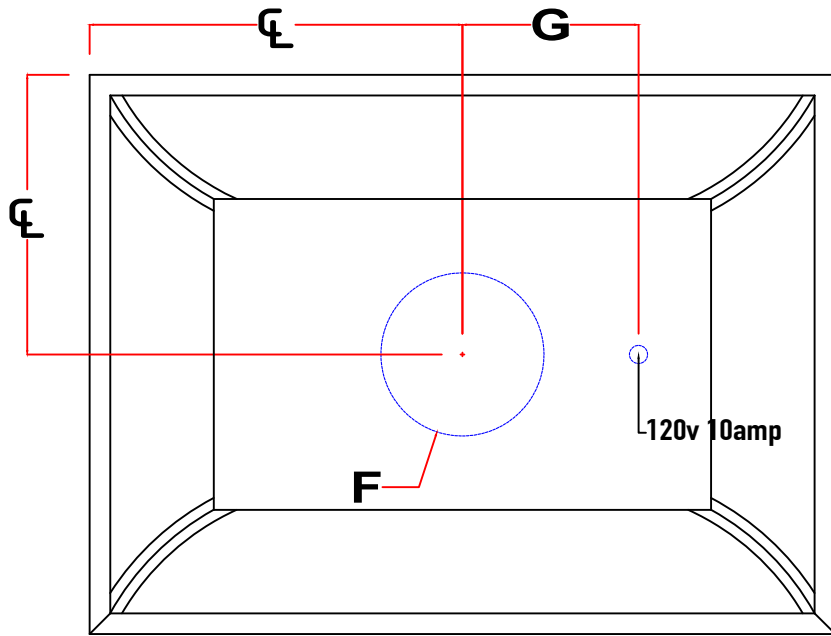
Electrical

Circuit Breaker	10 Amps
Volts	120 Volts
Wiring	Hardwired
Standard Location	Top - Right of Blower

Warranty Information

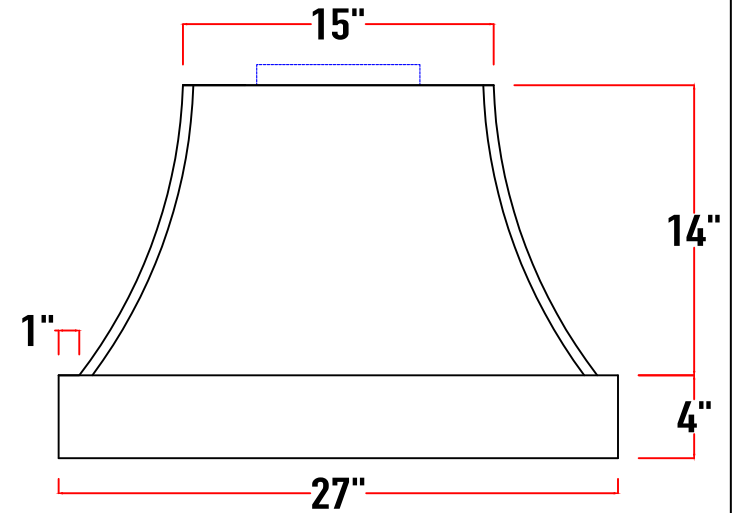
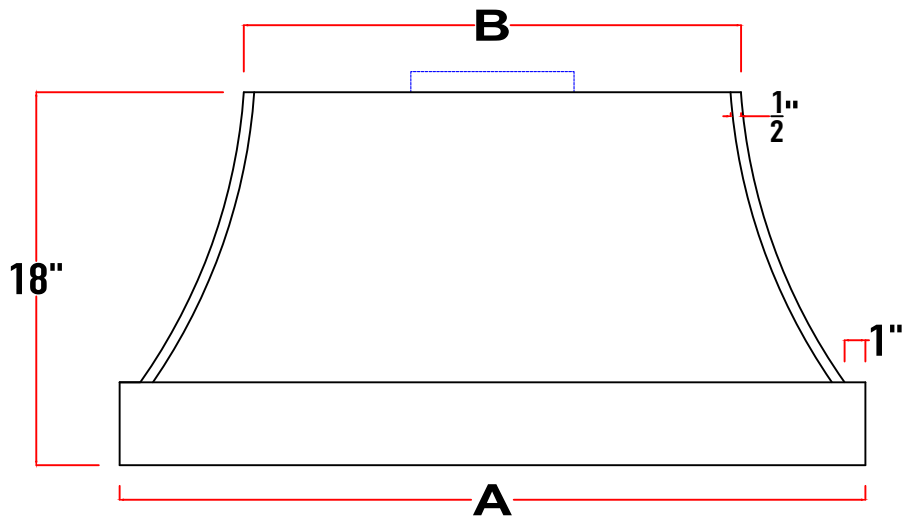
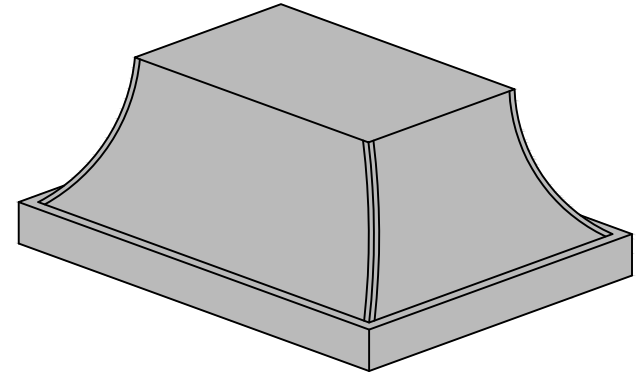
Parts and Labor	3 Years
-----------------	---------





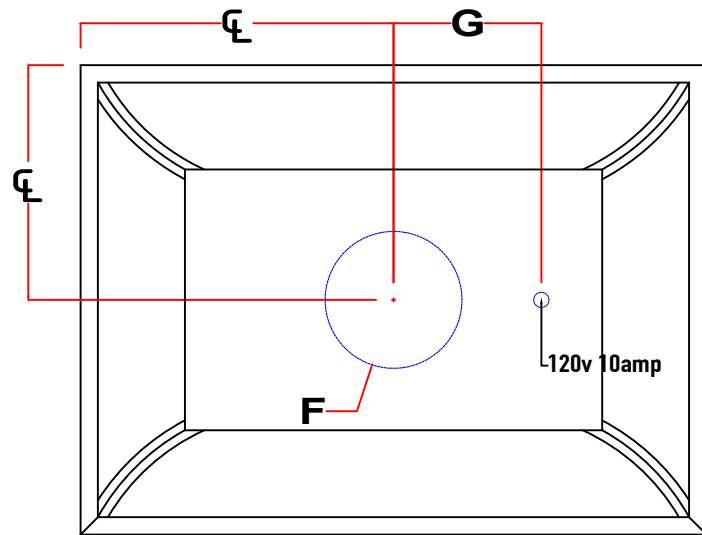
Top View

Model#
PS1718



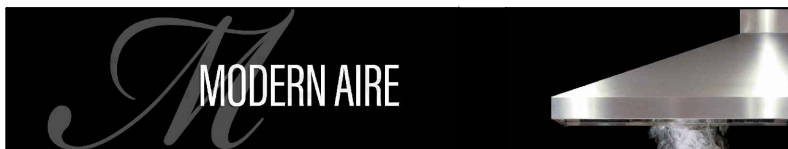
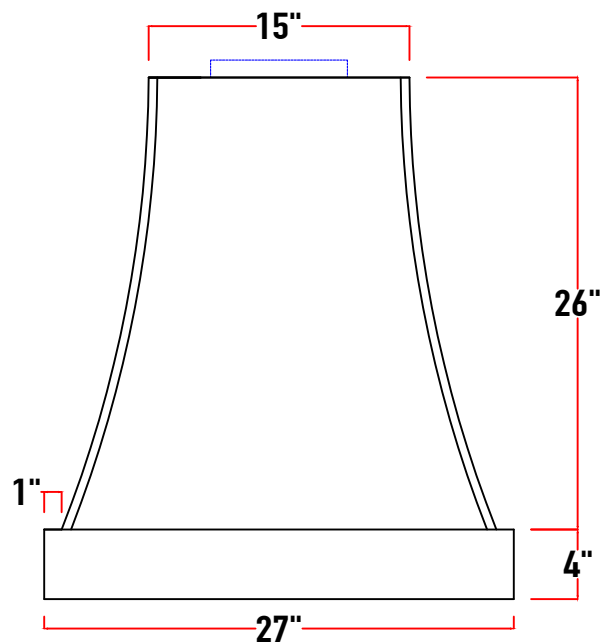
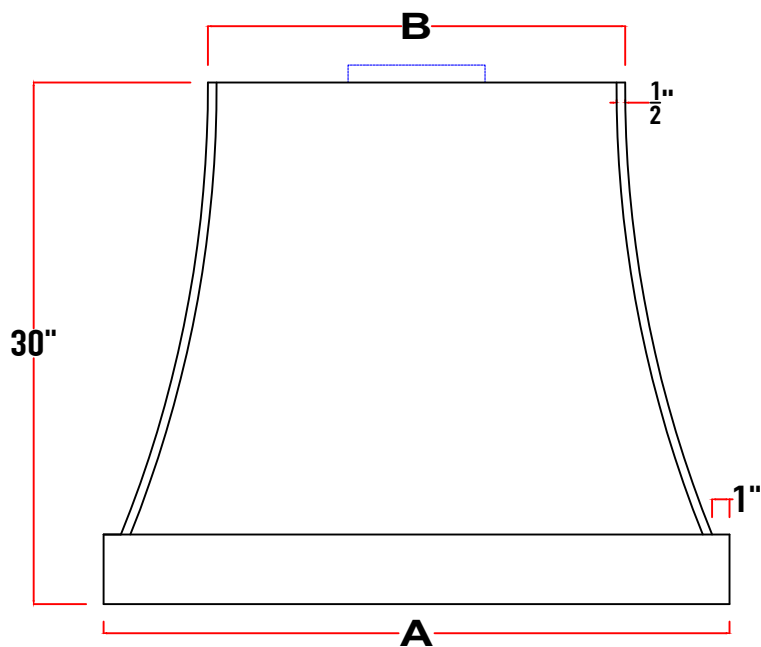
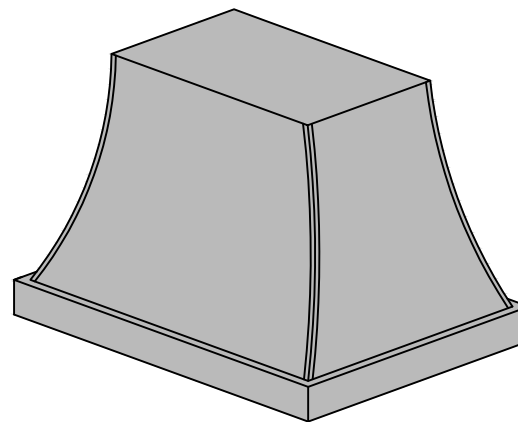
A	30"	36"	42"	48"	54"	60"	66"
B	18"	24"	30"	36"	42"	48"	54"
C							
D							

E	
F	7" (200cfm - 450cfm) 8" (600cfm) 10" (900cfm - 1200cfm) 10" or 8" (external)
G	8 1/2" (200cfm - 600cfm & external motor) 12 1/2" (Internal 900cfm - 1200cfm)
H	



Top View

Model#
PS1730



A	30"	36"	42"	48"	54"	60"	66"
B	18"	24"	30"	36"	42"	48"	54"
C							
D							

E	
F	7" (200cfm - 450cfm) 8" (600cfm) 10" (900cfm - 1200cfm) 10" or 8" (external)
G	8 1/2" (200cfm - 600cfm & external motor) 12 1/2" (Internal 900cfm - 1200cfm)
H	