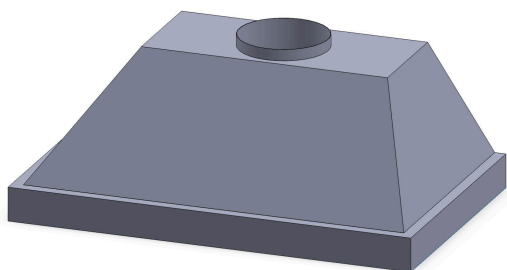


# Modern Aire Ventilating

Fully Customizable. Built in the USA.



## PSL Spec Sheet



### Available Standard Sizing

**\*\*Custom sizing and venting options available upon request. Please contact a dealer for more information\*\***

|           |  |
|-----------|--|
| PSL19-028 | 28 $\frac{3}{8}$ "w x 12"h x 19 $\frac{1}{4}$ "d |
| PSL19-034 | 34 $\frac{3}{8}$ "w x 12"h x 19 $\frac{1}{4}$ "d |
| PSL19-040 | 40 $\frac{3}{8}$ "w x 12"h x 19 $\frac{1}{4}$ "d |
| PSL19-046 | 46 $\frac{3}{8}$ "w x 12"h x 19 $\frac{1}{4}$ "d |
| PSL19-052 | 52 $\frac{3}{8}$ "w x 12"h x 19 $\frac{1}{4}$ "d |
| PSL19-058 | 58 $\frac{3}{8}$ "w x 12"h x 19 $\frac{1}{4}$ "d |

|           |  |
|-----------|--|
| PSL22-028 | 28 $\frac{3}{8}$ "w x 12"h x 22 $\frac{1}{2}$ "d |
| PSL22-034 | 34 $\frac{3}{8}$ "w x 12"h x 22 $\frac{1}{2}$ "d |
| PSL22-040 | 40 $\frac{3}{8}$ "w x 12"h x 22 $\frac{1}{2}$ "d |
| PSL22-046 | 46 $\frac{3}{8}$ "w x 12"h x 22 $\frac{1}{2}$ "d |
| PSL22-052 | 52 $\frac{3}{8}$ "w x 12"h x 22 $\frac{1}{2}$ "d |
| PSL22-058 | 58 $\frac{3}{8}$ "w x 12"h x 22 $\frac{1}{2}$ "d |

### Available Material Choices

**\*\*See available materials list for a full selection\*\***

|                    |        |
|--------------------|--------|
| Stainless Steel    | Brass  |
| RAL Powder Coat    | Copper |
| Custom Powder Coat | Zinc   |

### Blower and Controls

|                  |                                     |
|------------------|-------------------------------------|
| Fan Type         | Internal, Inline, External          |
| CFM Options      | 200 CFM - 1400 CFM                  |
| Standard Venting | Top - Centered & 1" off rear        |
| Fan Switch       | Continuously Variable (5A Rheostat) |
| Fan Control Type | Variable Chrome Knob                |
| Control Location | Underside                           |

### Lights and Controls

|                    |                                     |
|--------------------|-------------------------------------|
| Light Type         | 3000K LED                           |
| Amount             | 2+ (varies based upon width)        |
| Light Switch       | Continuously Variable (5A Rheostat) |
| Light Control Type | Variable Chrome Knob                |
| Control Location   | Underside                           |

### Filters

|                 |  |
|-----------------|--|
| Type            | Brushed Stainless Steel Baffle Filters |
| Removable       | Yes                                    |
| Dishwasher Safe | Yes                                    |

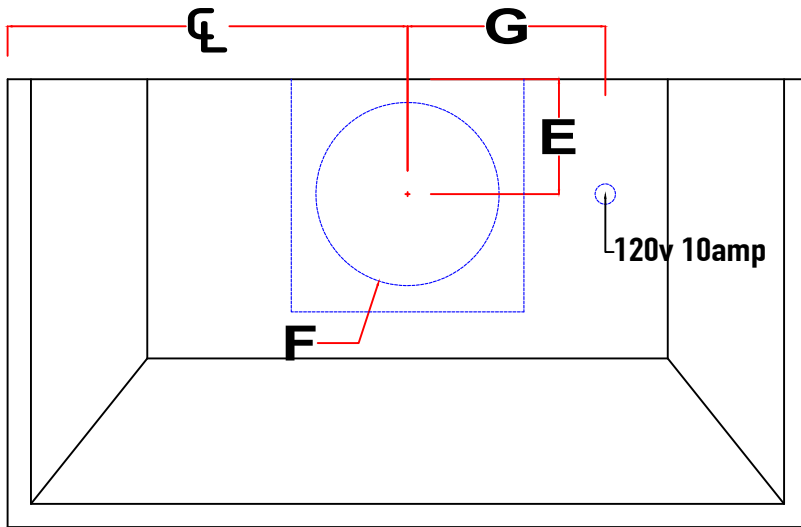
### Electrical

|                   |                       |
|-------------------|-----------------------|
| Circuit Breaker   | 10 Amps               |
| Volts             | 120 Volts             |
| Wiring            | Hardwired             |
| Standard Location | Top - Right of Blower |

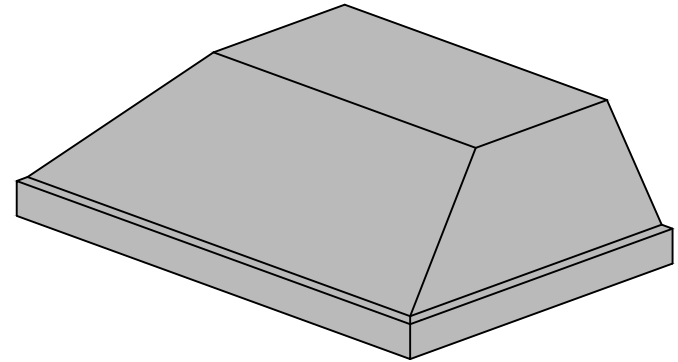
### Warranty Information

|                 |         |
|-----------------|---------|
| Parts and Labor | 3 Years |
|-----------------|---------|

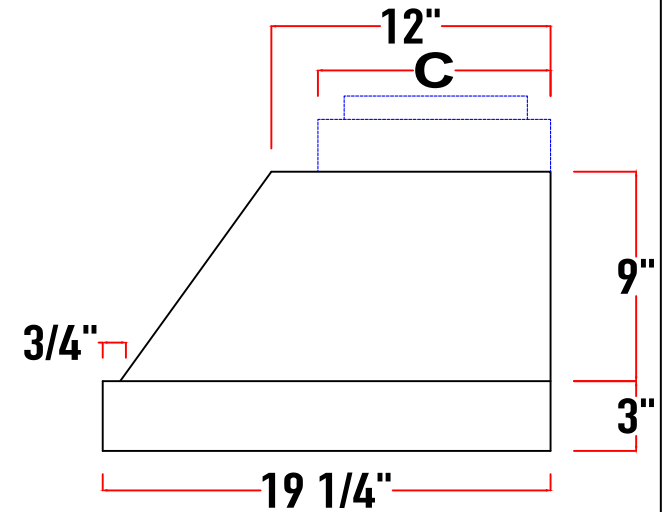
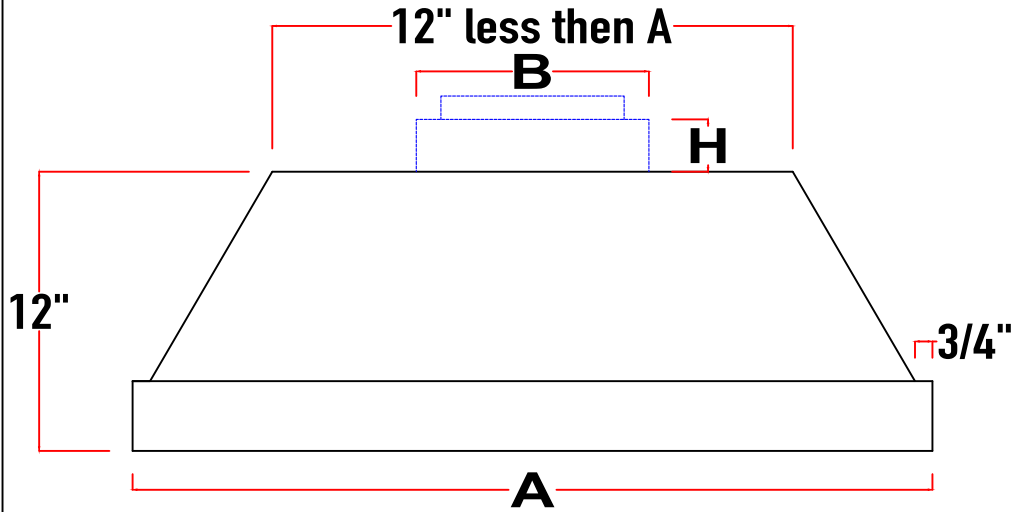




Model#  
PSL19

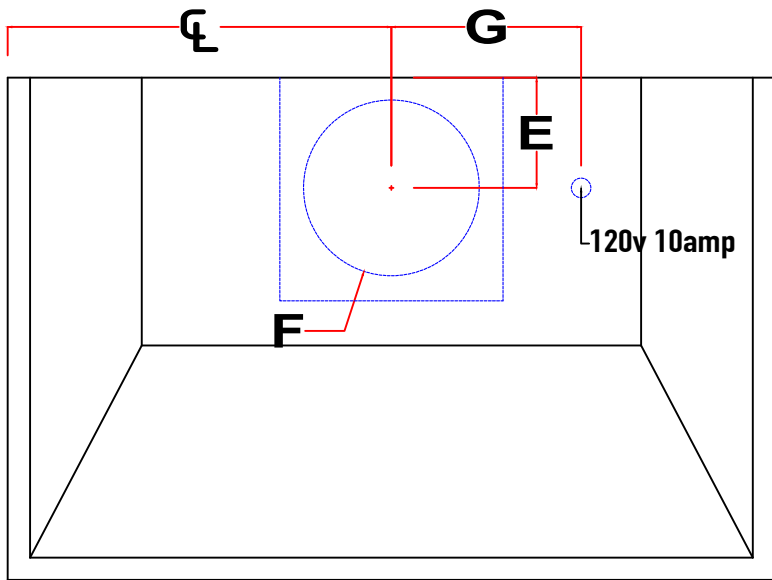


Top View

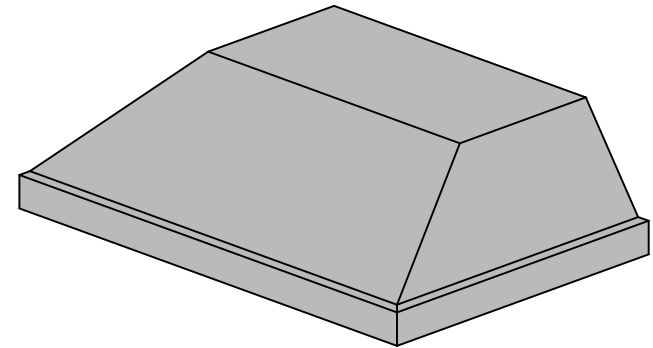


|          |  |                                  |                                  |                                  |                                  |                                  |
|----------|--|----------------------------------|----------------------------------|----------------------------------|----------------------------------|----------------------------------|
| <b>A</b> | 28 <sup>3</sup> / <sub>8</sub> "                 | 34 <sup>3</sup> / <sub>8</sub> " | 40 <sup>3</sup> / <sub>8</sub> " | 46 <sup>3</sup> / <sub>8</sub> " | 52 <sup>3</sup> / <sub>8</sub> " | 58 <sup>3</sup> / <sub>8</sub> " |
| <b>B</b> | 10" (200cfm - 600cfm) 21 1/8" (900cfm - 1200cfm) |                                  |                                  |                                  |                                  |                                  |
| <b>C</b> | 10" (200cfm - 600cfm) 10 1/8" (900cfm - 1200cfm) |                                  |                                  |                                  |                                  |                                  |
| <b>D</b> |  |                                  |                                  |                                  |                                  |                                  |

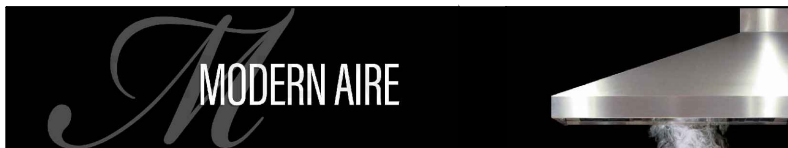
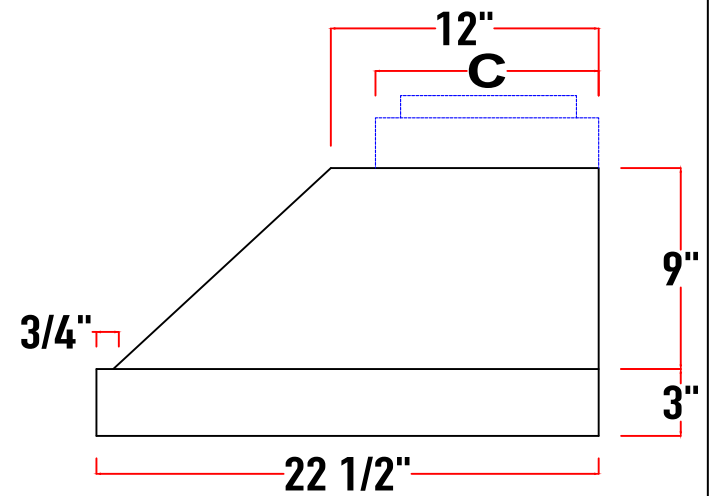
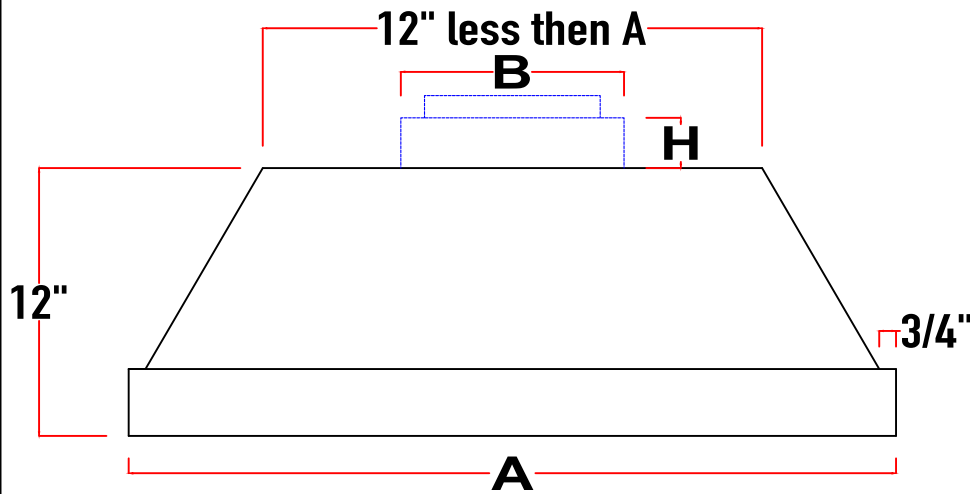
|          |  |
|----------|--|
| <b>E</b> | 4" (200cfm - 450cfm) 4 1/2" (600cfm) 5 1/4" (900cfm - 1200cfm) 6" (external motor) |
| <b>F</b> | 7" (200cfm - 450cfm) 8" (600cfm) 10" (900cfm - 1200cfm) 10" or 8" (external)       |
| <b>G</b> | 8 1/2" (200cfm - 600cfm & external) 12 1/2" (Internal 900cfm - 1200cfm)            |
| <b>H</b> | 2 1/4" (200cfm - 600cfm) 3 1/8" (900cfm - 1200cfm)                                 |



Model#  
PSL22



Top View



|          |  |                                  |                                  |                                  |                                  |                                  |
|----------|--|----------------------------------|----------------------------------|----------------------------------|----------------------------------|----------------------------------|
| <b>A</b> | 28 <sup>3</sup> / <sub>8</sub> "                 | 34 <sup>3</sup> / <sub>8</sub> " | 40 <sup>3</sup> / <sub>8</sub> " | 46 <sup>3</sup> / <sub>8</sub> " | 52 <sup>3</sup> / <sub>8</sub> " | 58 <sup>3</sup> / <sub>8</sub> " |
| <b>B</b> | 10" (200cfm - 600cfm) 21 1/8" (900cfm - 1200cfm) |                                  |                                  |                                  |                                  |                                  |
| <b>C</b> | 10" (200cfm - 600cfm) 10 1/8" (900cfm - 1200cfm) |                                  |                                  |                                  |                                  |                                  |
| <b>D</b> |  |                                  |                                  |                                  |                                  |                                  |

|          |  |
|----------|--|
| <b>E</b> | 4" (200cfm - 450cfm) 4 1/2" (600cfm) 5 1/4" (900cfm - 1200cfm) 6" (external motor) |
| <b>F</b> | 7" (200cfm - 450cfm) 8" (600cfm) 10" (900cfm - 1200cfm) 10" or 8" (external)       |
| <b>G</b> | 8 1/2" (200cfm - 600cfm & external) 12 1/2" (Internal 900cfm - 1200cfm)            |
| <b>H</b> | 2 1/4" (200cfm - 600cfm) 3 1/8" (900cfm - 1200cfm)                                 |