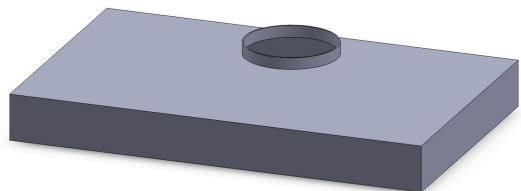


# Modern Aire Ventilating

Fully Customizable. Built in the USA.



## PML Spec Sheet



### Available Standard Sizing

**\*\*Custom sizing and venting options available upon request. Please contact a dealer for more information\*\***

PML18-028	28 $\frac{3}{8}$ "w x 4"h x 18 $\frac{1}{8}$ "d
PML18-034	34 $\frac{3}{8}$ "w x 4"h x 18 $\frac{1}{8}$ "d
PML18-040	40 $\frac{3}{8}$ "w x 4"h x 18 $\frac{1}{8}$ "d
PML18-046	46 $\frac{3}{8}$ "w x 4"h x 18 $\frac{1}{8}$ "d
PML18-052	52 $\frac{3}{8}$ "w x 4"h x 18 $\frac{1}{8}$ "d
PML18-058	58 $\frac{3}{8}$ "w x 4"h x 18 $\frac{1}{8}$ "d

PML22-028	28 $\frac{3}{8}$ "w x 4"h x 22 $\frac{1}{2}$ "d
PML22-034	34 $\frac{3}{8}$ "w x 4"h x 22 $\frac{1}{2}$ "d
PML22-040	40 $\frac{3}{8}$ "w x 4"h x 22 $\frac{1}{2}$ "d
PML22-046	46 $\frac{3}{8}$ "w x 4"h x 22 $\frac{1}{2}$ "d
PML22-052	52 $\frac{3}{8}$ "w x 4"h x 22 $\frac{1}{2}$ "d
PML22-058	58 $\frac{3}{8}$ "w x 4"h x 22 $\frac{1}{2}$ "d

### Available Material Choices

**\*\*See available materials list for a full selection\*\***

Stainless Steel	Brass
RAL Powder Coat	Copper
Custom Powder Coat	Zinc

### Blower and Controls

Fan Type	Internal, Inline, External
CFM Options	200 CFM - 1400 CFM
Standard Venting	Top - Centered & 1" off rear
Fan Switch	Continuously Variable (5A Rheostat)
Fan Control Type	Variable Chrome Knob
Control Location	Underside

### Lights and Controls

Light Type	3000K LED
Amount	2+ (varies based upon width)
Light Switch	Continuously Variable (5A Rheostat)
Light Control Type	Variable Chrome Knob
Control Location	Underside

### Filters

Type	Brushed Stainless Steel Mesh Filters
Removable	Yes
Dishwasher Safe	Yes

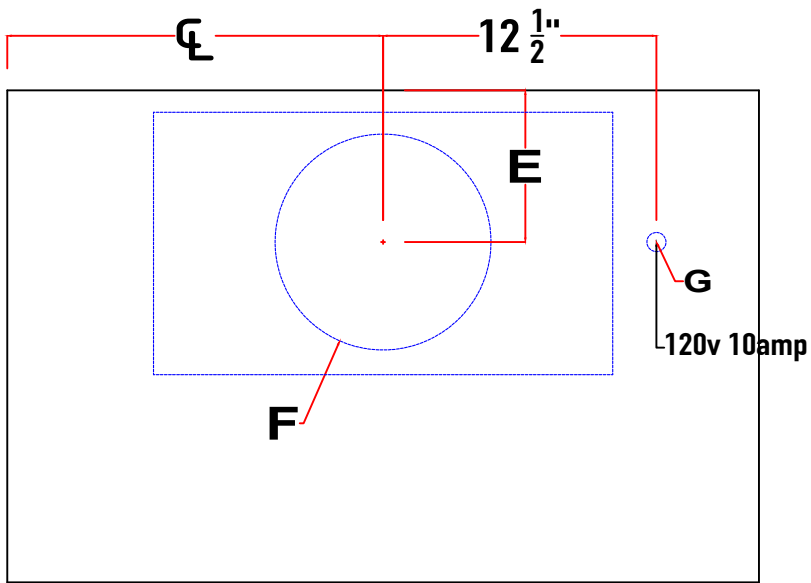
### Electrical

Circuit Breaker	10 Amps
Volts	120 Volts
Wiring	Hardwired
Standard Location	Top - Right of Blower

### Warranty Information

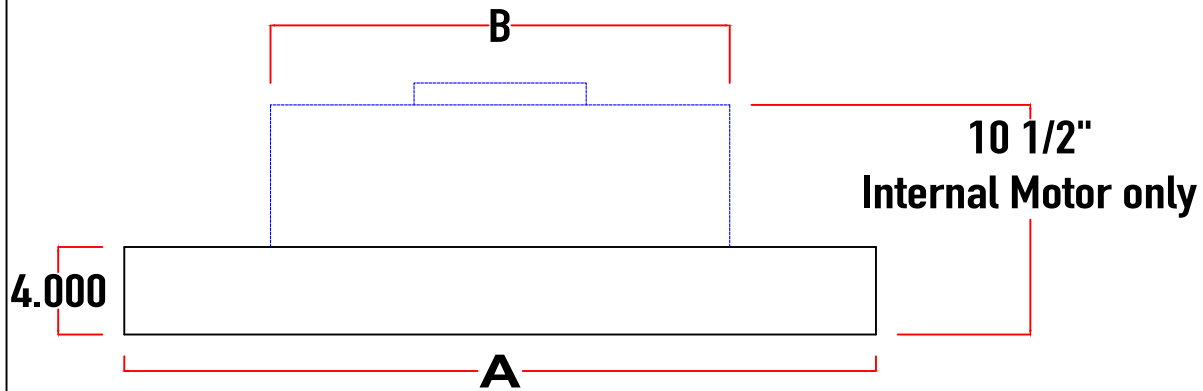
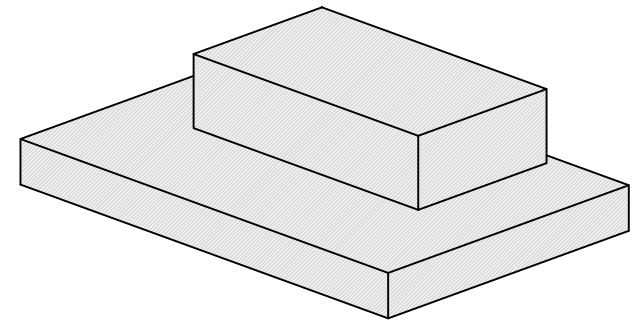
Parts and Labor	3 Years
-----------------	---------



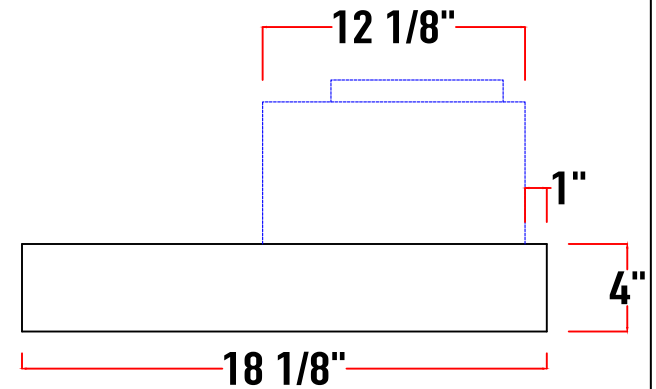


Top View

Model#  
PML18

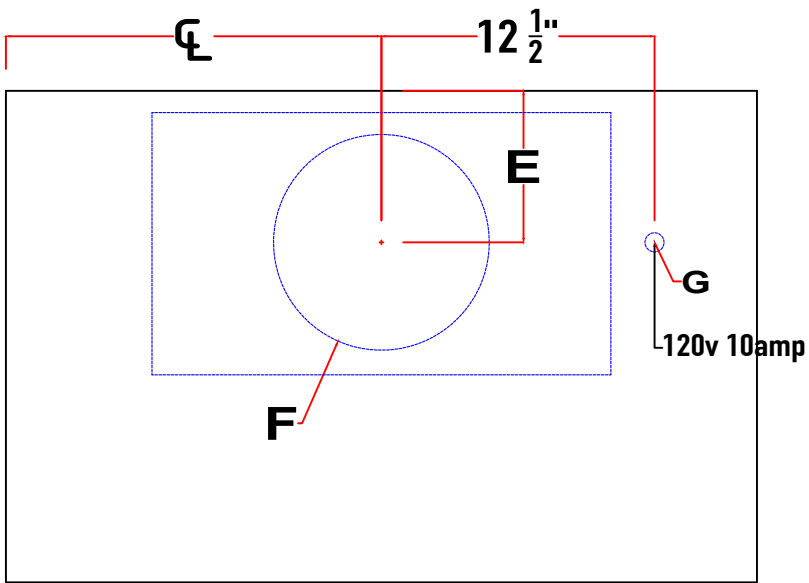


10 1/2"  
Internal Motor only



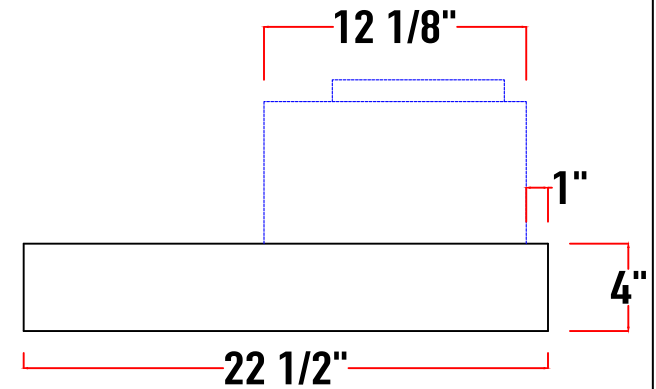
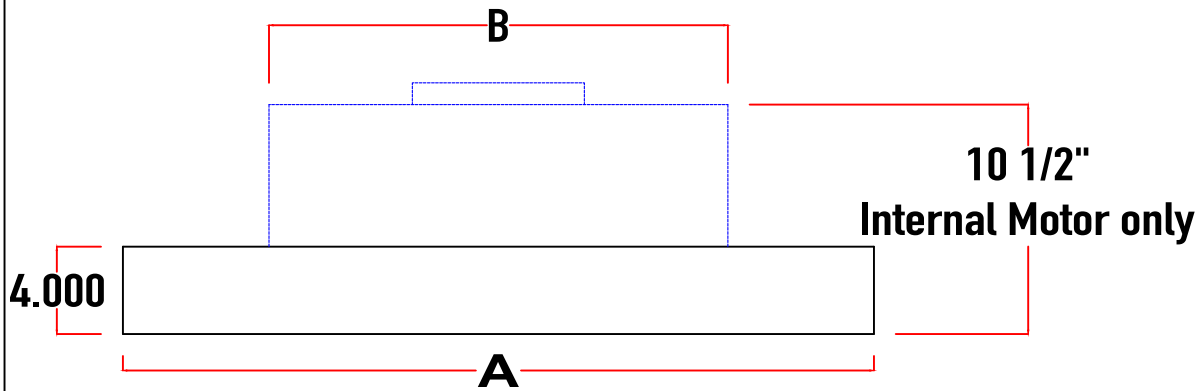
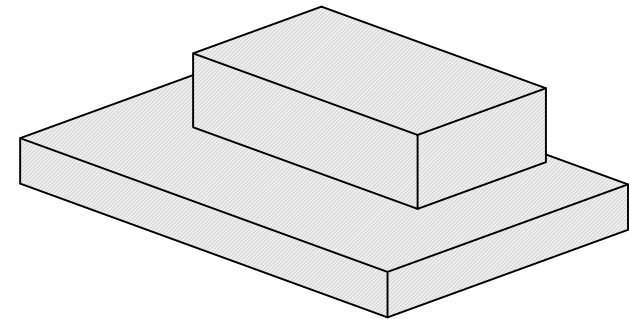
<b>A</b>	28 <sup>3</sup> / <sub>8</sub> "	34 <sup>3</sup> / <sub>8</sub> "	40 <sup>3</sup> / <sub>8</sub> "	46 <sup>3</sup> / <sub>8</sub> "	52 <sup>3</sup> / <sub>8</sub> "	58 <sup>3</sup> / <sub>8</sub> "
<b>B</b>	14" (200cfm - 600cfm); 21" (900cfm - 1200cfm)					
<b>C</b>						
<b>D</b>						

<b>E</b>	5 1/2" (200cfm - 450cfm) 6" (600cfm) 7" (900cfm - 1200cfm) 7" (external motor)
<b>F</b>	7" (200cfm - 450cfm) 8" (600cfm) 10" (900cfm - 1200cfm) 10" or 8" (external)
<b>G</b>	Hard Wired, 120V 10A
<b>H</b>	



Top View

Model#  
PML22



<b>A</b>	28 <sup>3</sup> / <sub>8</sub> "	34 <sup>3</sup> / <sub>8</sub> "	40 <sup>3</sup> / <sub>8</sub> "	46 <sup>3</sup> / <sub>8</sub> "	52 <sup>3</sup> / <sub>8</sub> "	58 <sup>3</sup> / <sub>8</sub> "
<b>B</b>	14" (200cfm - 600cfm); 21" (900cfm - 1200cfm)					
<b>C</b>						
<b>D</b>						

<b>E</b>	5 1/2" (200cfm - 450cfm) 6" (600cfm) 7" (900cfm - 1200cfm) 7" (external motor)
<b>F</b>	7" (200cfm - 450cfm) 8" (600cfm) 10" (900cfm - 1200cfm) 10" or 8" (external)
<b>G</b>	Hard Wired, 120V 10A
<b>H</b>	